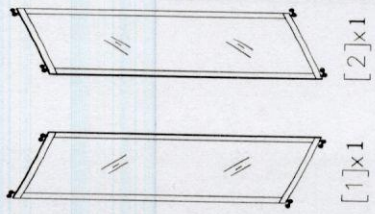
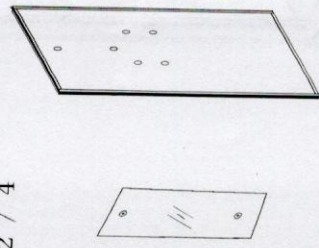


1 / 4



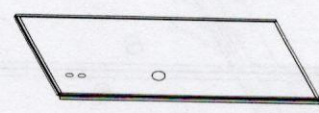
[1]x1 [2]x1

2 / 4

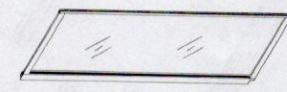


[3]x1

3 / 3



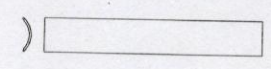
[5]x1



[6]x2

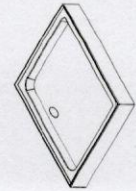


[7]x2



[8]x2

4 / 4



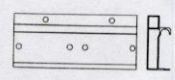
[9]x1



[10]x1



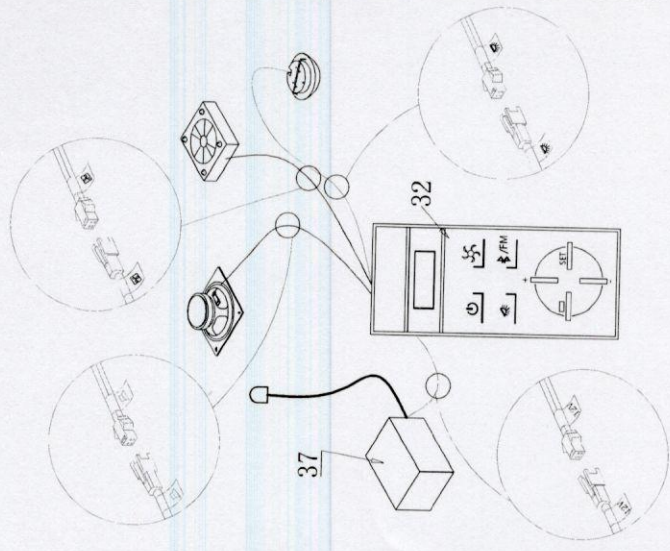
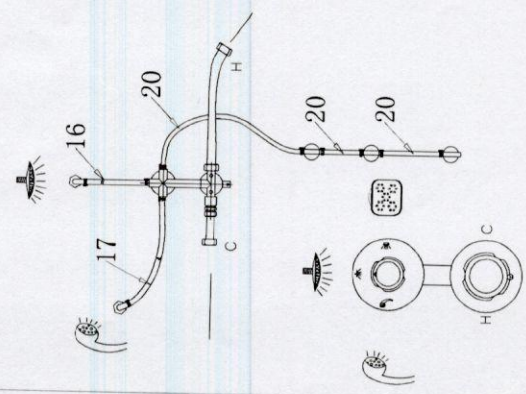
[11]x2



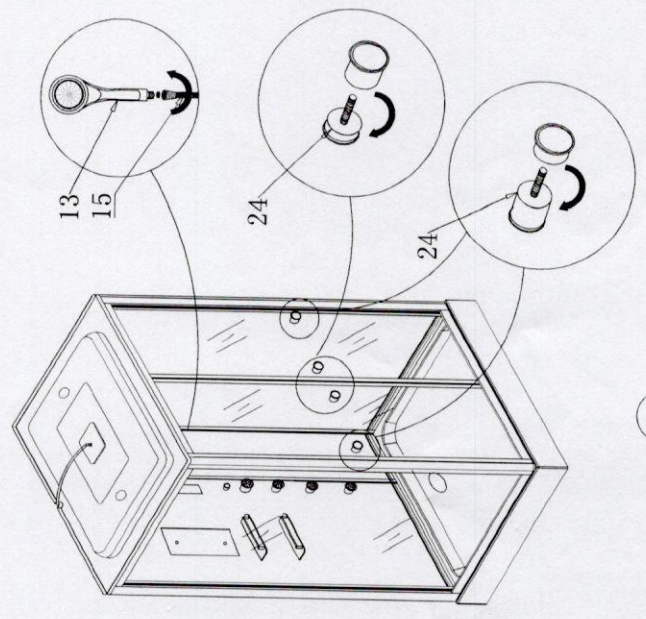
[12]x2

1

7:



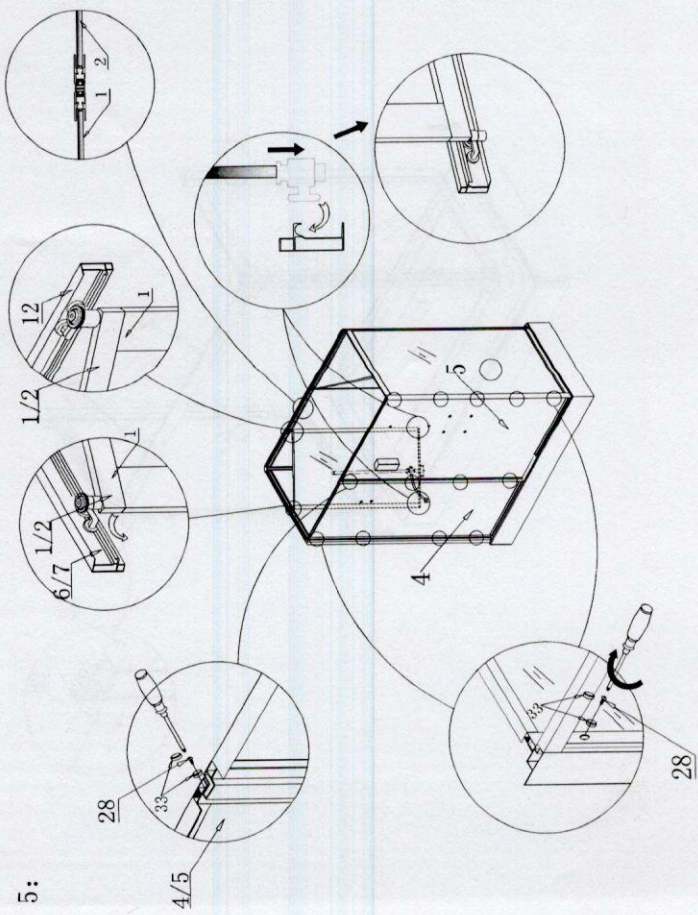
8:



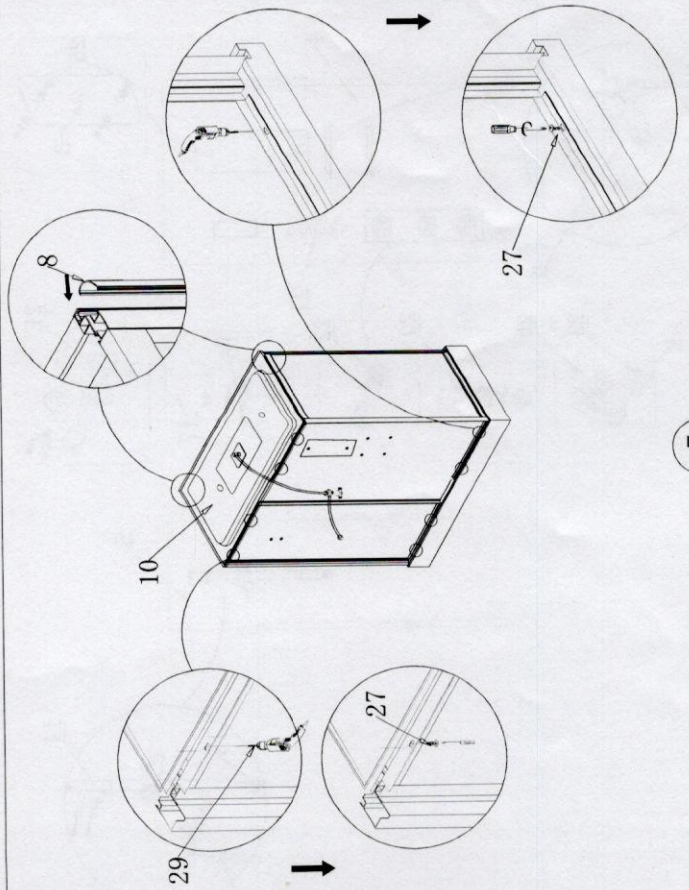
6



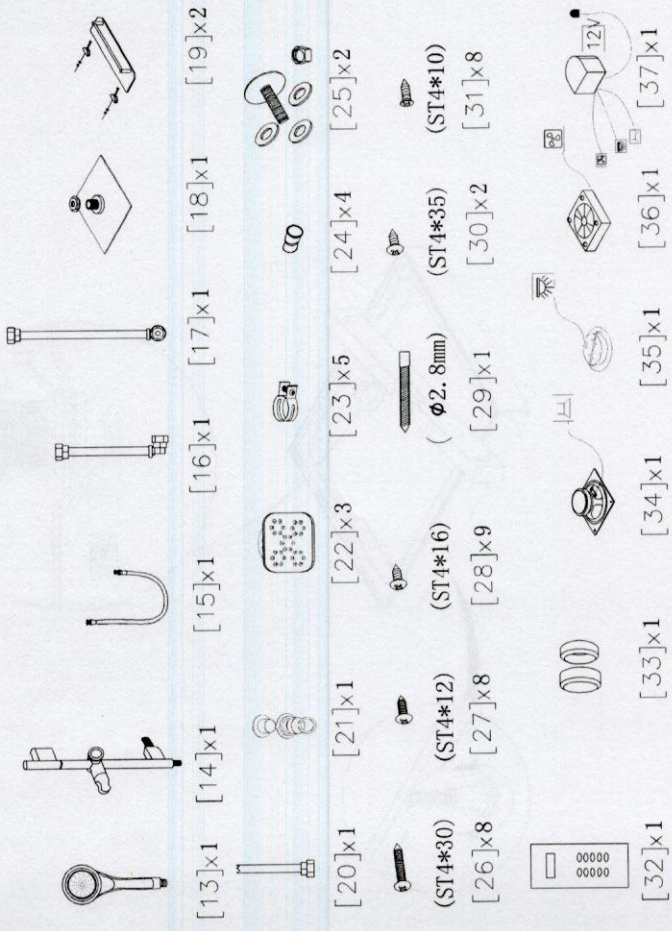
5:



6:

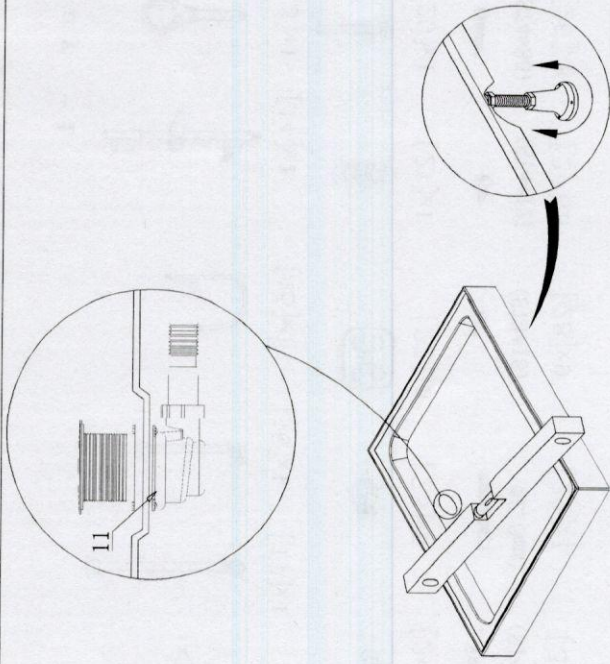


Tray - 1

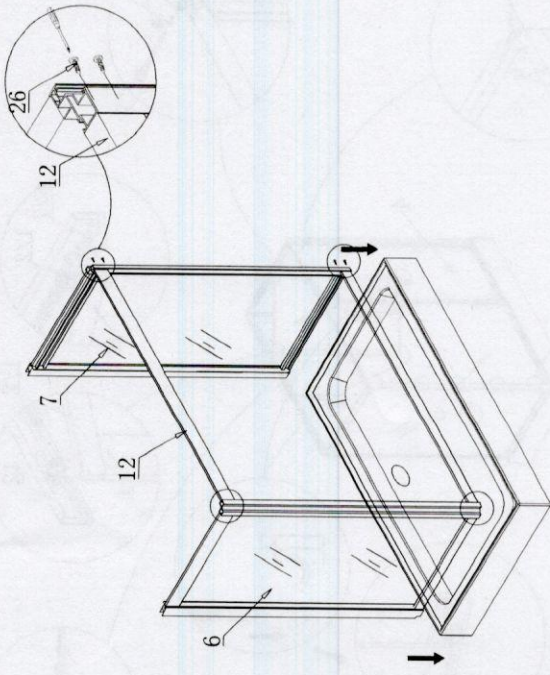




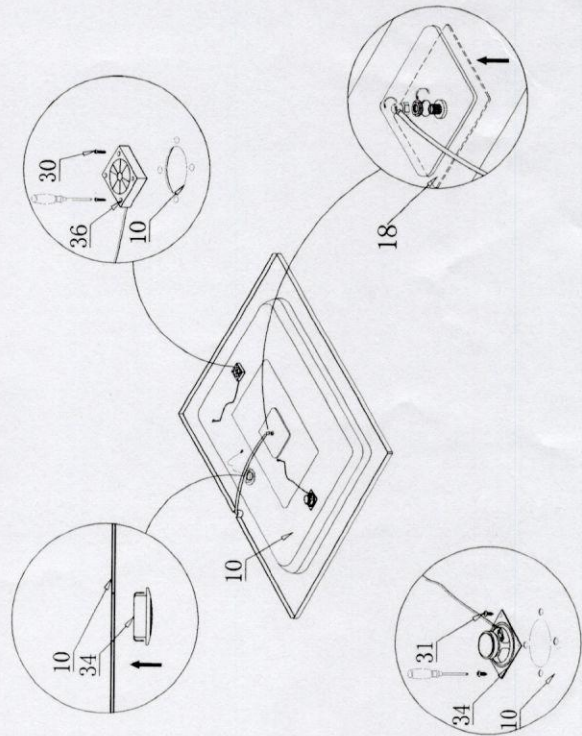
1:



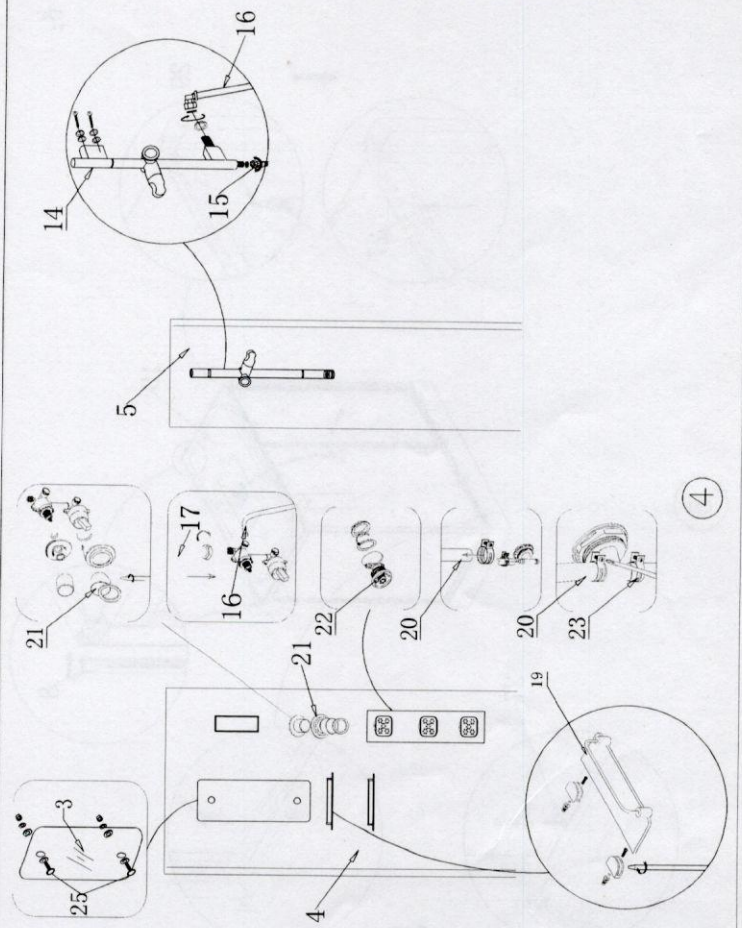
3:



2:



4:



3

4