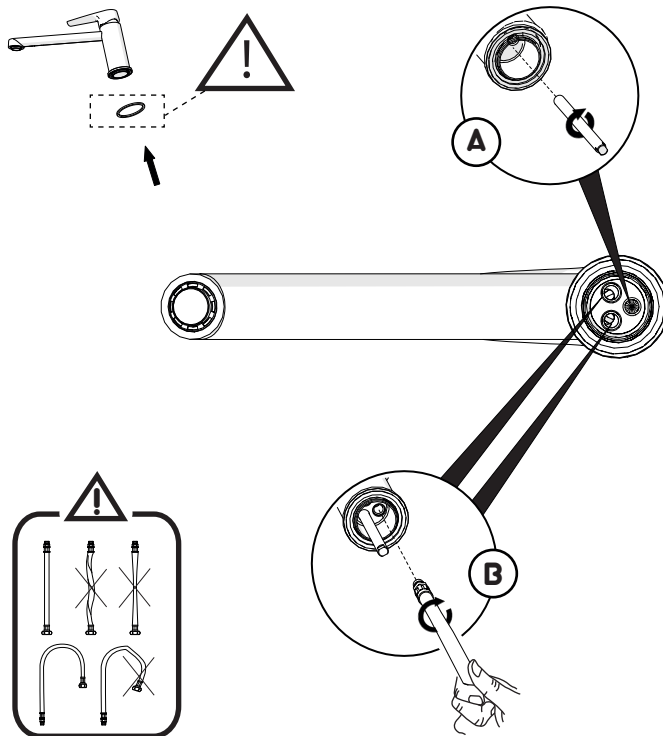


Not included / Non incluso / Non Inclus / Nie zawarty / No incluido / Nao incluido

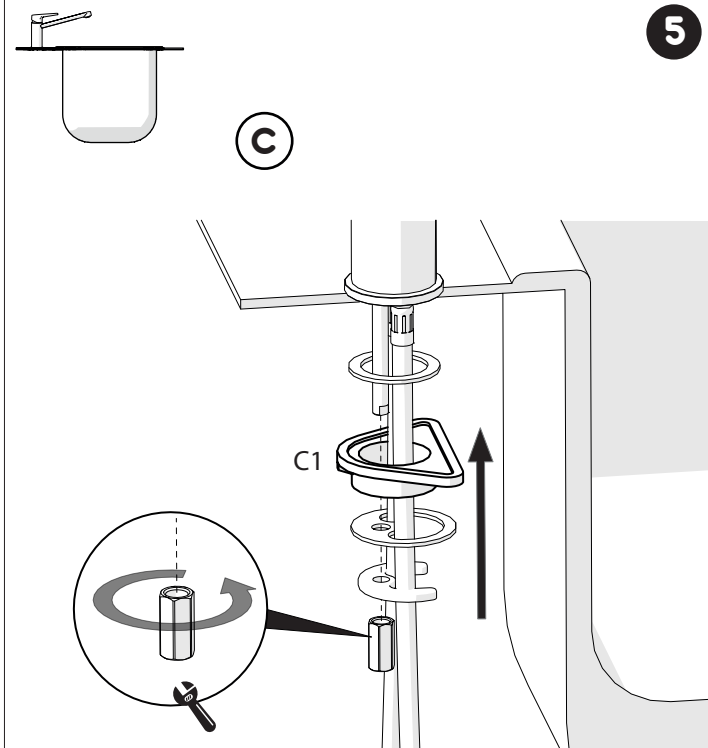
+



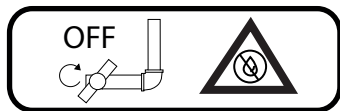
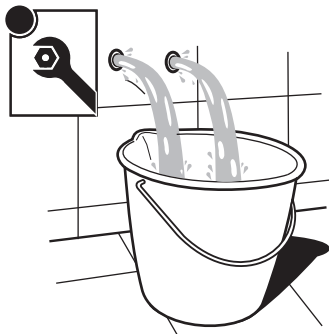
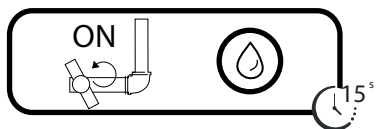
1



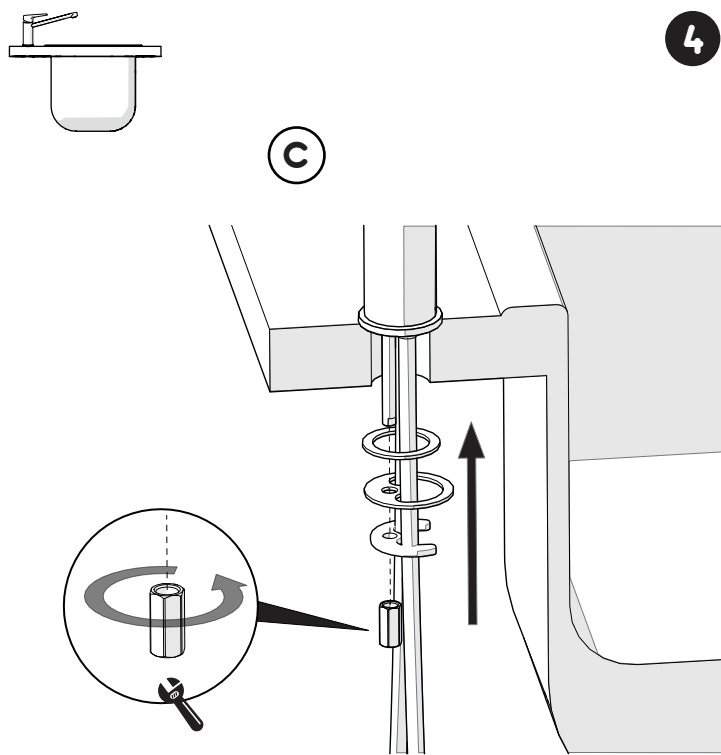
3



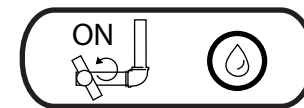
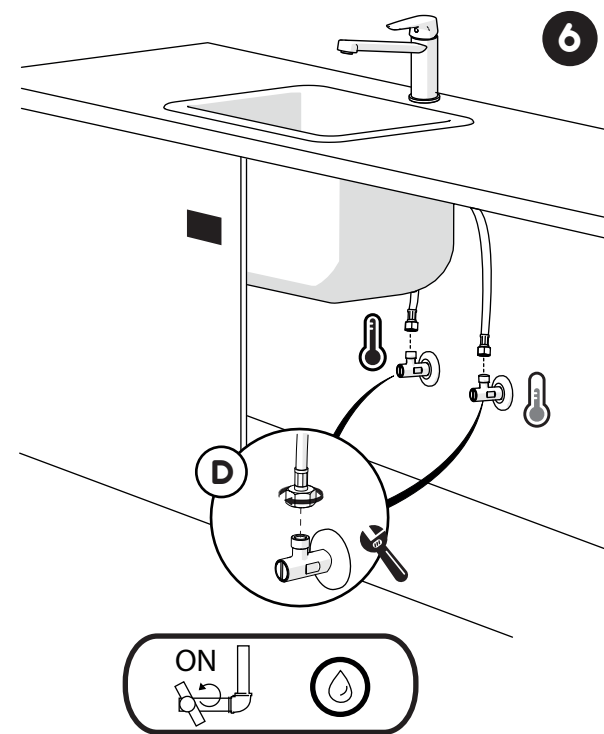
2

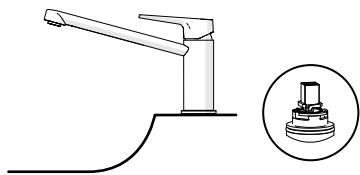


4

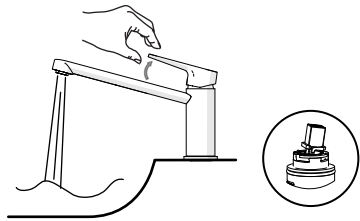


6

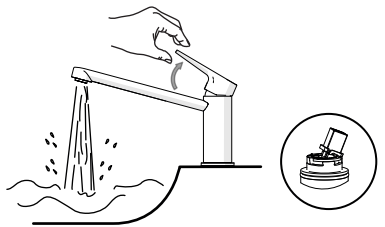




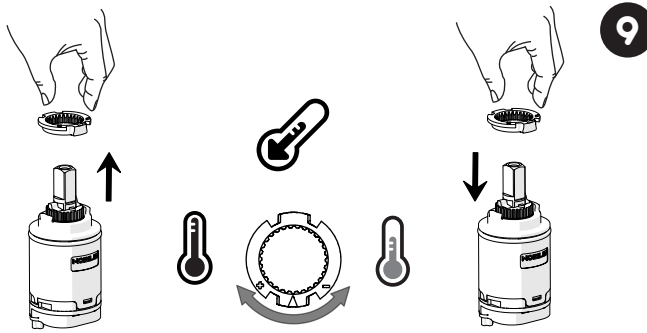
7



ON 50%



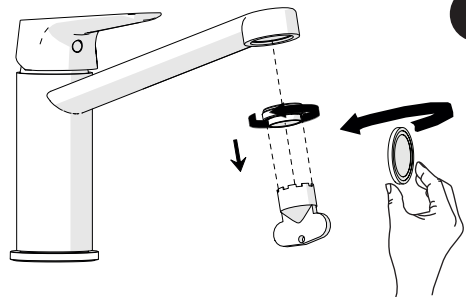
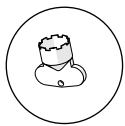
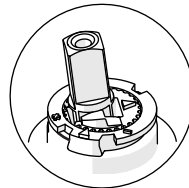
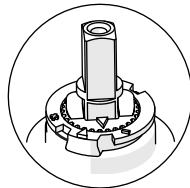
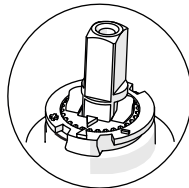
ON 100%



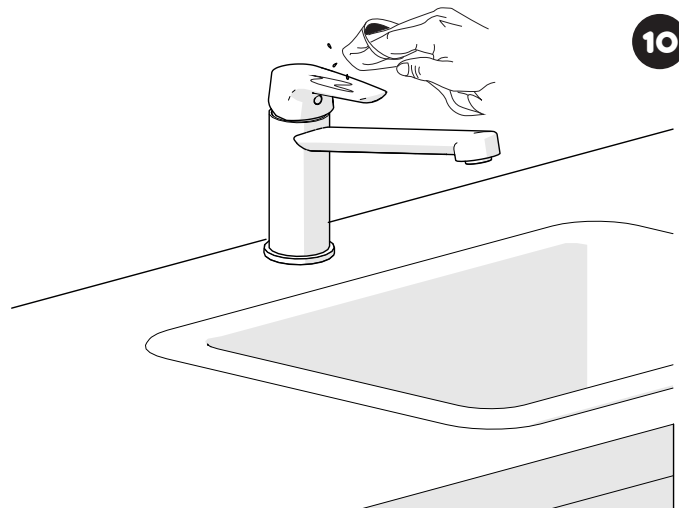
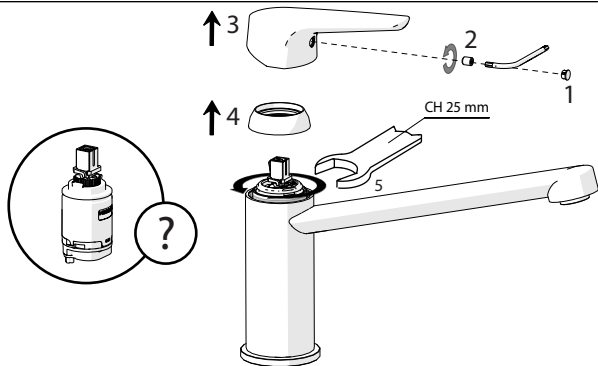
No limitation of temperature

Partial limitation of temperature

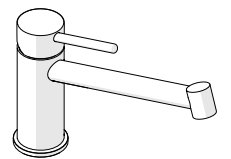
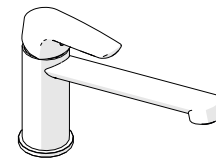
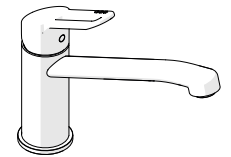
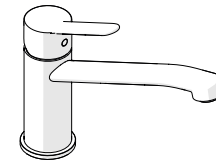
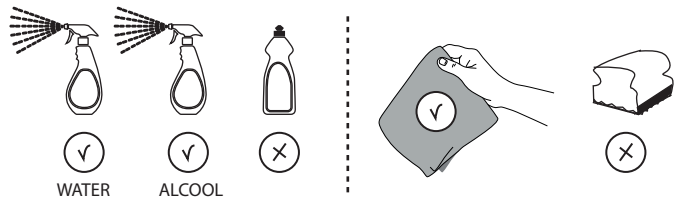
Maximum position Only cold water



8



10



IISTR00113/25#--STD

NOBILIS
The Best Technology for Water

REV2.04/2014



www.grupponobili.it

