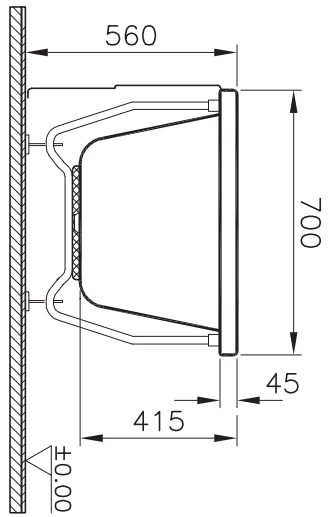
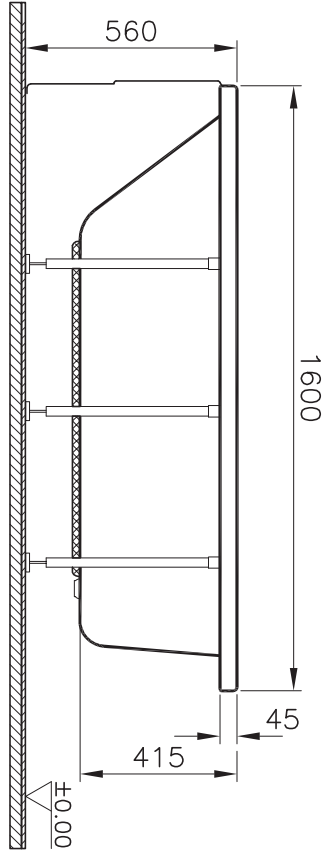
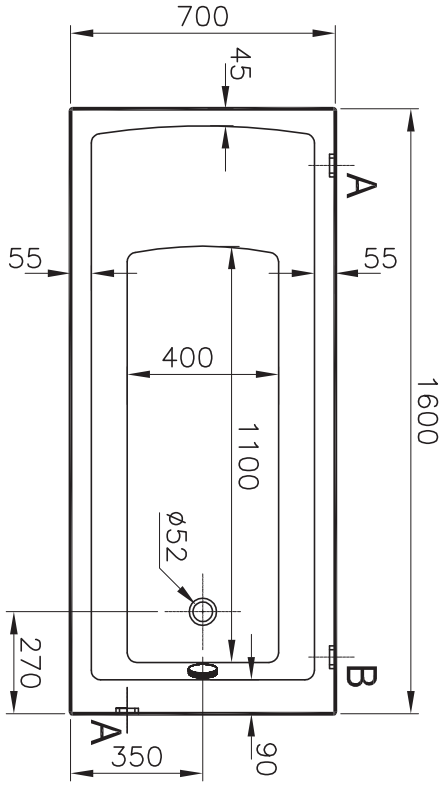
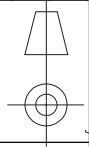


Theoretic Mass(Kg)	Revision
Surface Area(m ²)	A4

Thread	Hole	Shaft



Item	Quantity	Part Name	Drawing No	Material	Material Class
1	1	Neon			



This drawing can only be used for the intended purpose. Unauthorized copying is strictly prohibited.

1	Neon Dik 160x70	01.06.2011	5252
RS	Description	Date	NAME

Drawn By	Controlled By	Approved By	Date	Drawing No	Scale
Serpi Sengor					1/20

Vitra® | ARTEMAT