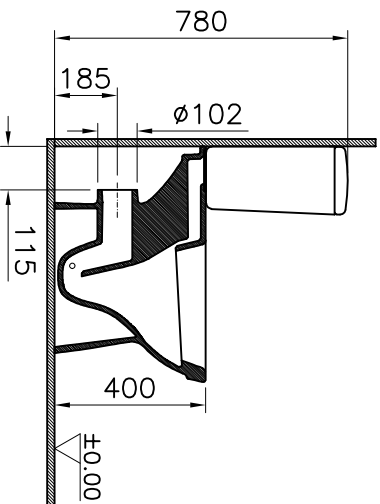
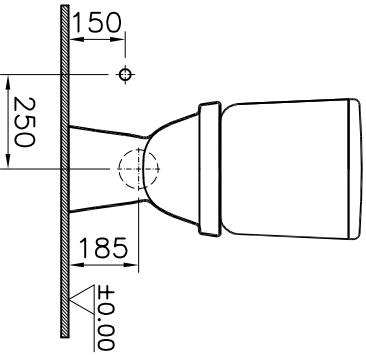
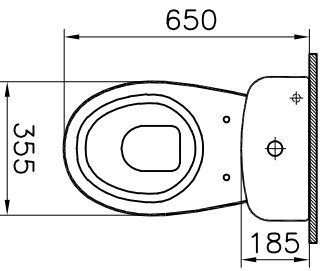


Theoretic Mass(kg)	Revision
Surface Area(dm <sup>2</sup> )	<b>A4</b>

Thread	Hole	Shaft
--------	------	-------



Item	Quantity	System	Part Name	Series	Material	Material Class
2	1	Close-coupled WC pan	6656-0107	NORWUS	Ceramic	
1	1	Close-coupled WC pan	5820-0075		Ceramic	
Item Quantity		Drawing No		Material		Material Class

<small>This drawing can only be used for the intended purpose. Unauthorised copying is strictly prohibited.</small>						
Drawn By	Controlled By	Approved By	Date	Drawing No	Scale	
T.TAYAR	N.BALTACI	V.SARIKOL	11.06.2008	5820+6656	1/20	

RS	Description	Date	NAME

4 3 2 1